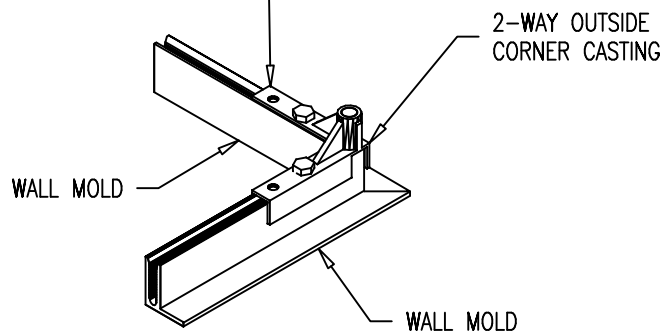


1/4-20x1" SOCKET BUTTON
HD CAP SCREW, ZINC (TYP)



2-WAY OUTSIDE CORNER

PORTA-FAB
CORPORATION

P.O. BOX 1084 CHESTERFIELD, MO. 63006-1084

JOB:

SCALE

DATE

These documents were developed by PORTA-FAB Corporation. The contents of these documents are the property of PORTA-FAB corporation. They are not to be copied or otherwise used without the express written permission of PORTA-FAB Corporation.

DRAWN BY

REVISED

CHECKED

SHEET NO. OF